

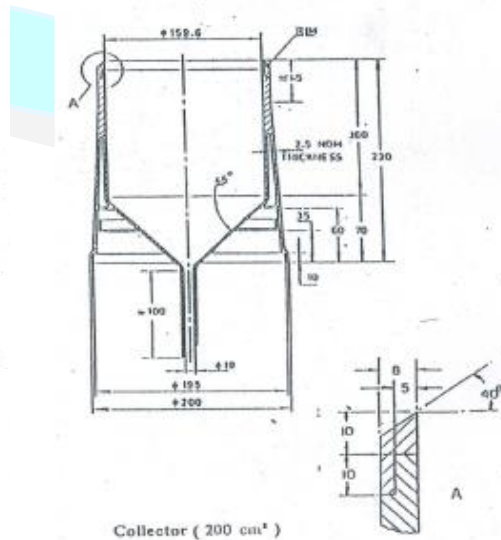
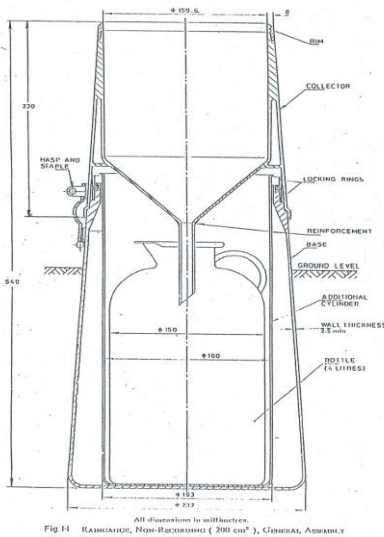
Model: ORG 0.2

Description:

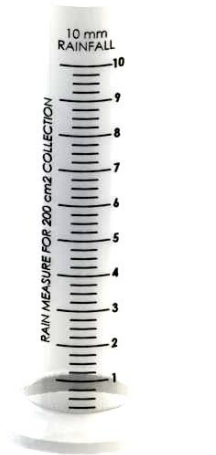
The 'Virtual' make Non recoding Rain Gauges are manufactured as per IS:5225:1969. Rain Gauge is manufactured from non corrosive fiber glass reinforced plastic container. It consists of collector assembled with brass Ring, Funnel, Locking Rings and Base. The Rain Gauge is supplied with 4 liter bottle and a Plastic measuring cylinder. Rain Gauges are available in 200cm² collection area. The essential parts of an ordinary rain gauge are a funnel through which the rain water is collected in a receiver and a measuring cylinder (rain measure) with which the rain water collected is measured. The correct type of rain measure suitable to the type of rain gauge in use has to be used for the measurement of rainfall. The rain measure is graduated for every 0.2 mm of rainfall. This instrument is also available with IMD Pune, certification (at extra cost).

Specifications:

Collector Area	: 200cm ²
Range	: 200mm
Measuring Cylinder	: measures 10 mm Rainfall
Resolution	: 0.2mm
Material	: Base & Collector-Fiber Reinforced Plastic Collector Rim – Gun metal



dr



1105/1, Salempur Rajputana Industrial Estate
Roorkee - 247667, Haridwar, Uttarakhand, INDIA
Tel :+91-7088-772-772, vhydromet@yahoo.com



Represented by:

**** Drawing & specifications are subjected to change at any time without prior notice as per manufacturing suitability.**